

WORKIO™

DIGITAL IMAGING SYSTEMS

Panasonic®

DP-3010

"work made easy"



30 cpm / 30 ppm
Digital Copying / Printing

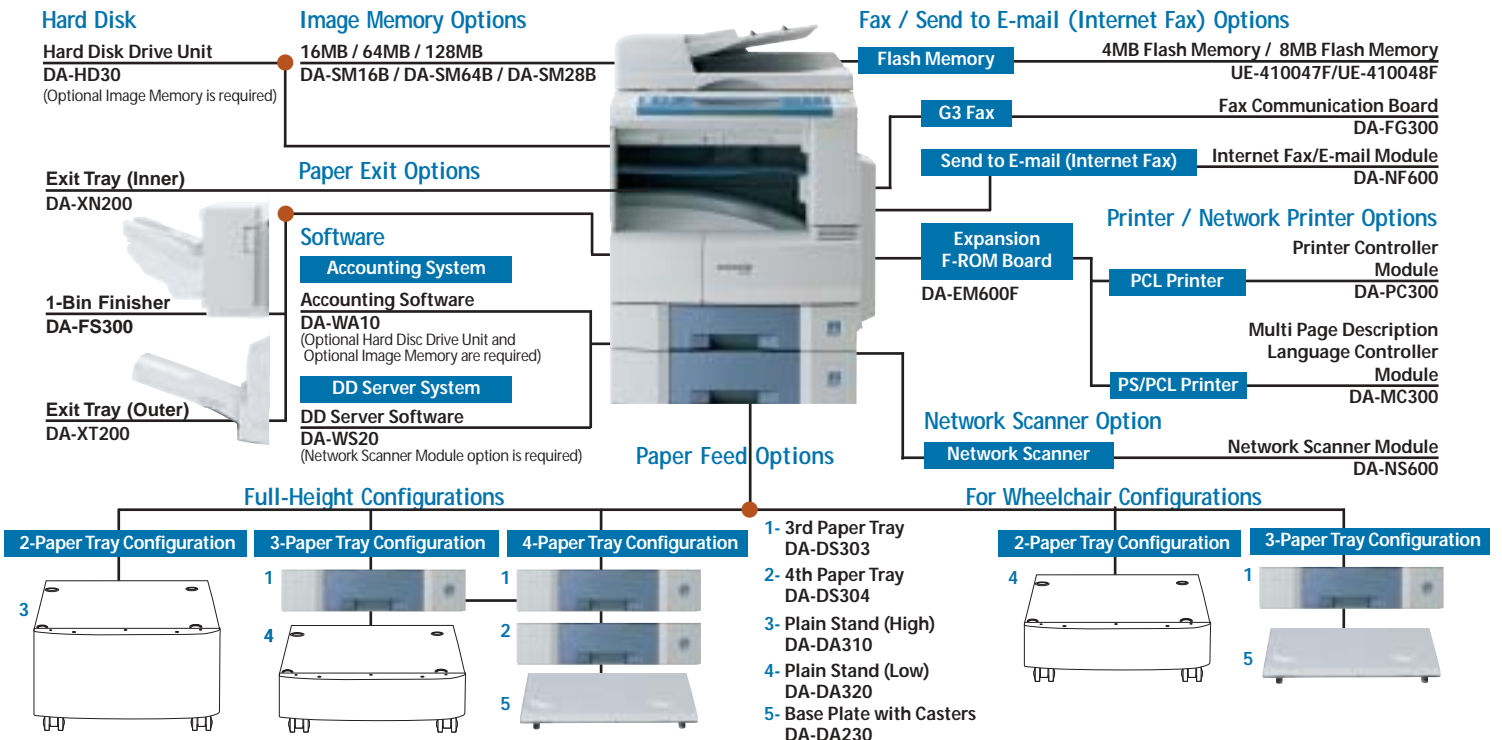
Standard Network Printing /
Document Manager Software

600 dpi Highspeed
Network Scanning Capability

Internet Fax Capability
"Send to Email"

Extra-Large Touch-Screen
Interface and friendly GUI

WORKiO – Options & Specifications



DP-3010 Specifications

General / Digital Copier (Std.)

Type	Desktop
Copy / Print Process	Laser Indirect Electrostatic
Developing Process	Dry Dual component
Warm-up Time	Less than 35 sec.
First Copy Time	Approx. 4.5 sec. (Letter)
Resolution	up to 600 dpi
Gray Scale	256 steps
Multi Copy Speed ¹	up to 30 ppm
Maximum Original Size	Ledger
Copy Size	Ledger-Invoice
Copy Ratio	Enlargement (fixed) 200%, 155%, 129%, 121% Reduction (fixed) 79%, 77%, 65%, 61%, 50%
Zoom (variable)	25-400% (in 1% increments)
Automatic Document Feeder	50 sheets (Letter)
Paper Feed	Std. 550 sheets paper tray unit x 2 + 50-sheet bypass Max. 2,250 sheets with option
Multiple Copy	1 to 999, Automatic reset to 1
Exposure Controller	Text, Text / Photo, Photo
Page Memory Capacity	32MB
Sort Memory	Uses JBIG Compression
Standard	16MB
Optional	Base Memory (16MB) plus 16MB / 64MB / 128MB (max. 144MB) 12GB (with optional HDD)
Power Requirements	AC 120 V, 60 Hz, 12 A
Power Consumption	Max.: Less than 1.5 kW Energy Saver mode: Approx. 28 Wh Sleep mode: Approx. 18 Wh
Dimensions (W x D x H) ²	23.6" x 27.8" x 33.8"
(Excluding optional equipment)	(Main unit with Inverting Automatic Document Feeder)
Weight (Excluding optional equipment) ²	Approx. 181 lbs (82 kg)

Speeds are contingent upon applications and machine configuration and status. Individual speeds may vary.

Network Printer (Std.) / Network Scanner (Opt.)

Printer Interface	Ethernet 10Base-T/100Base-TX, USB 1.1
Printing Speed ¹	up to 30 ppm
Paper Size	Ledger-Invoice
Printing Resolution	up to 1,200 dpi equivalent x 600 dpi (PCL_PS), up to 600 dpi x 600 dpi (GDI)
Printer Memory	20MB
Page Description Language	PCL 5e, PCL 6, PostScript® 3 (option)
Scanning Resolution (Max.)	up to 600 dpi
Compatible Operating Systems	Windows® XP/2000, 98.Me, Windows NT® 4.0, Mac OS 8.6-10.1 (PS only)

G3 Fax (Opt.)

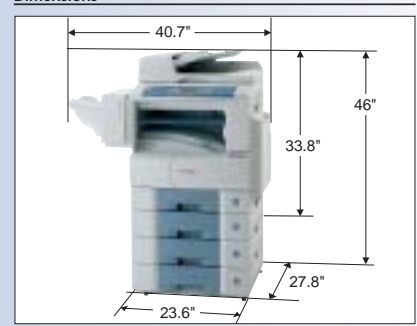
Compatibility	ITU-T Group 3, ECM
Modem Speed	33.6 kbps
Coding Scheme	JBIG / MMR / MR / MH
Transmission Speed	Less than 3 sec./page ³
Scanning Speed	0.7 sec. (Letter portrait in Standard or Fine mode) ⁴
Scanning Resolution	Standard: 203 dpi x 98 lpi (8 dots/mm x 3.85 lines/mm) Fine: 203 dpi x 196 lpi (8 dots/mm x 7.7 lines/mm) Super Fine: 203 dpi x 391 lpi (8 dots/mm x 15.4 lines/mm) 406 dpi x 391 lpi (16 dots/mm x 15.4 lines/mm) 600 dpi: 600 dpi x 600 dpi

Effective Scanning Width	Ledger (11.5")
Recording Resolution	Max. 600 x 600 dpi
Standard Memory	2MB (approx. 120 pages) ⁵
Optional Memory	Base memory plus 4MB (240 pages) ⁵ /8MB (480 pages) ⁵
No. of Auto Dialers	200 (Max. 1,000 with optional HDD)

Send to E-mail (Opt.) / Internet Fax (Opt.)

Compatibility	IETF RFC 2305, ITU-T.37
Communication Protocol	TCP/IP, SMTP, POP3, MIME
Network Connectivity	10BASE-T / 100BASE-TX Ethernet (IEEE802.3)
Data Format	TIFF, Profile S/F/J, PDF

Dimensions



Notes

- ¹ Speeds are contingent upon applications, machine configuration, and status.
 - ² Dimensions and weight are approximate.
 - ³ Transmission time applies to memory transmission of text data using only ITU-T Image No.1 between the same models at maximum modem speed. Transmission time may vary in actual usage. Usually public telephone lines can only support communication speeds of 28.8 Kbps or Lower. Via PBX, transmission speed may fall back to a lower speed.
 - ⁴ Scanning speed applies to the feeding process from the top to the end of a single page test chart. The time for the feeding process does not include the time that it takes for the top edge of the page to reach the scanning point and page ejection. Time for entire storing process is not applied.
 - ⁵ Based on ITU-T Image No.1 scanned in Standard mode.
 - ⁶ Design and specifications are subject to change without notice. Not all options may be available at the time of notification.
- Microsoft® Windows® and Windows NT® are registered trademarks of Microsoft Corporation.
 Adobe® PostScript®, PDF and PostScript logo® are trademarks of Adobe Systems, Inc.
 PCL® is a registered trademark of Hewlett-Packard.
 WORKiO™ is a trademark of Matsushita Electric Industrial Co., Ltd.
 All other brand or product names are the property of their respective holders.



Panasonic Digital Document Company
 Unit of Matsushita Electric Corporation of America
 Two Panasonic Way, Secaucus, NJ 07094
 For a local dealer, please call 1-800-742-8086
<http://www.panasonic.com/office>

ISO 9001 Quality Management System

Our business processes which produce document, information and network products, from manufacturing to marketing, conform to ISO9001 Quality Management Systems standard.
 Design, development, manufacture, installation, repair and maintenance of document, information and network products, their associated devices and consumables.



As an Energy Star® Partner, Panasonic has determined that this product meets the Energy Star® Guidelines for energy efficiency.